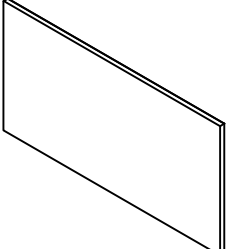
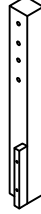


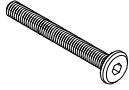





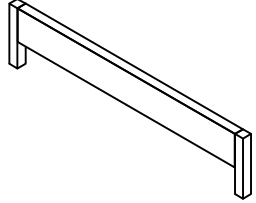
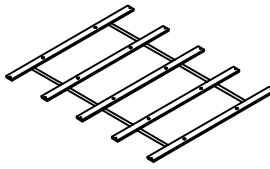
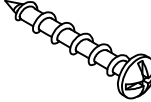
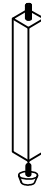
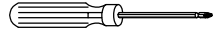
**Warning:**

- Be sure to check all packing material carefully for small parts, which may have come loose inside the carton during shipment.
- To prevent possible scratches and damage, this furniture **MUST BE ASSEMBLED BY TWO PEOPLE** on a soft surface such as a blanket or carpet.

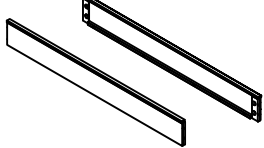




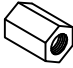
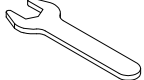
**Hardware and Parts packed with the Headboard**

|                                                                                                                                                      |                                                                                                                                              |                                                                                                                                             |                                                                                                                                         |
|------------------------------------------------------------------------------------------------------------------------------------------------------|----------------------------------------------------------------------------------------------------------------------------------------------|---------------------------------------------------------------------------------------------------------------------------------------------|-----------------------------------------------------------------------------------------------------------------------------------------|
| <p>King Panel Headboard - 91084</p>  <p>(H-A) 1 pc.</p>             | <p>Headboard Post (Right)</p>  <p>(H-B) 1 pc.</p>           | <p>Headboard Post (Left)</p>  <p>(H-C) 1 pc.</p>           | <p>Stretcher Headboard</p>  <p>(H-D) 1 pc.</p>       |
| <p>Allen Head Bolt<br/>Ø5/16"-18 x 1-3/4"</p>  <p>(H-E) 10 pcs.</p> | <p>Spring Washer<br/>Ø5/16" x Ø13</p>  <p>(H-F) 10 pcs.</p> | <p>Flat Washer<br/>Ø5/16" x Ø19</p>  <p>(H-G) 10 pcs.</p> | <p>Allen Key<br/>M4 x 2-1/2"</p>  <p>(H-H) 1 pc.</p> |

**Hardware and Parts packed with the Footboard**

|                                                                                                                                             |                                                                                                                                      |                                                                                                                                          |                                                                                                                                                             |                                                                                                                            |
|---------------------------------------------------------------------------------------------------------------------------------------------|--------------------------------------------------------------------------------------------------------------------------------------|------------------------------------------------------------------------------------------------------------------------------------------|-------------------------------------------------------------------------------------------------------------------------------------------------------------|----------------------------------------------------------------------------------------------------------------------------|
| <p>King Panel Footboard<br/>91081</p>  <p>(F-A) 1 pc.</p> | <p>Wood Slat<br/>76" Long</p>  <p>(F-B) 1 Set</p> | <p>Wood Screw<br/>#4 x 30mm</p>  <p>(F-C) 10 pcs.</p> | <p>Support Leg<br/>1-1/8" x 1-1/8" x 6-5/16"</p>  <p>(F-D) 10 pcs.</p> | <p>Screw Driver<br/>not included</p>  |
|---------------------------------------------------------------------------------------------------------------------------------------------|--------------------------------------------------------------------------------------------------------------------------------------|------------------------------------------------------------------------------------------------------------------------------------------|-------------------------------------------------------------------------------------------------------------------------------------------------------------|----------------------------------------------------------------------------------------------------------------------------|

**Hardware and Parts packed with the Bed Rails**

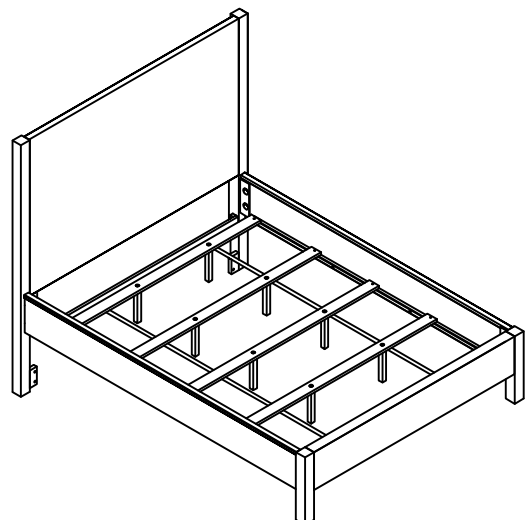
|                                                                                                                              |                                                                                                                                                       |                                                                                                                                       |                                                                                                                                                 |                                                                                                                                                 |                                                                                                                                            |                                                                                                                                       |
|------------------------------------------------------------------------------------------------------------------------------|-------------------------------------------------------------------------------------------------------------------------------------------------------|---------------------------------------------------------------------------------------------------------------------------------------|-------------------------------------------------------------------------------------------------------------------------------------------------|-------------------------------------------------------------------------------------------------------------------------------------------------|--------------------------------------------------------------------------------------------------------------------------------------------|---------------------------------------------------------------------------------------------------------------------------------------|
| <p>91072 Bed Rail</p>  <p>(R-A) 2 pcs.</p> | <p>All-Thread Bolt<br/>Ø5/16"-18 x 3-1/2"</p>  <p>(R-B) 8 pcs.</p> | <p>Arc Washer<br/>37x17mm</p>  <p>(R-C) 8 pcs.</p> | <p>Spring Washer<br/>Ø5/16" x Ø13mm</p>  <p>(R-D) 8 pcs.</p> | <p>Flat Washer<br/>Ø5/16" x Ø16mm</p>  <p>(R-E) 8 pcs.</p> | <p>Hex Nut<br/>Ø5/16" x 18mm</p>  <p>(R-F) 8 pcs.</p> | <p>Open Wrench<br/>12 mm</p>  <p>(R-G) 1 pc.</p> |
|------------------------------------------------------------------------------------------------------------------------------|-------------------------------------------------------------------------------------------------------------------------------------------------------|---------------------------------------------------------------------------------------------------------------------------------------|-------------------------------------------------------------------------------------------------------------------------------------------------|-------------------------------------------------------------------------------------------------------------------------------------------------|--------------------------------------------------------------------------------------------------------------------------------------------|---------------------------------------------------------------------------------------------------------------------------------------|

6/0-6/6 King Bed

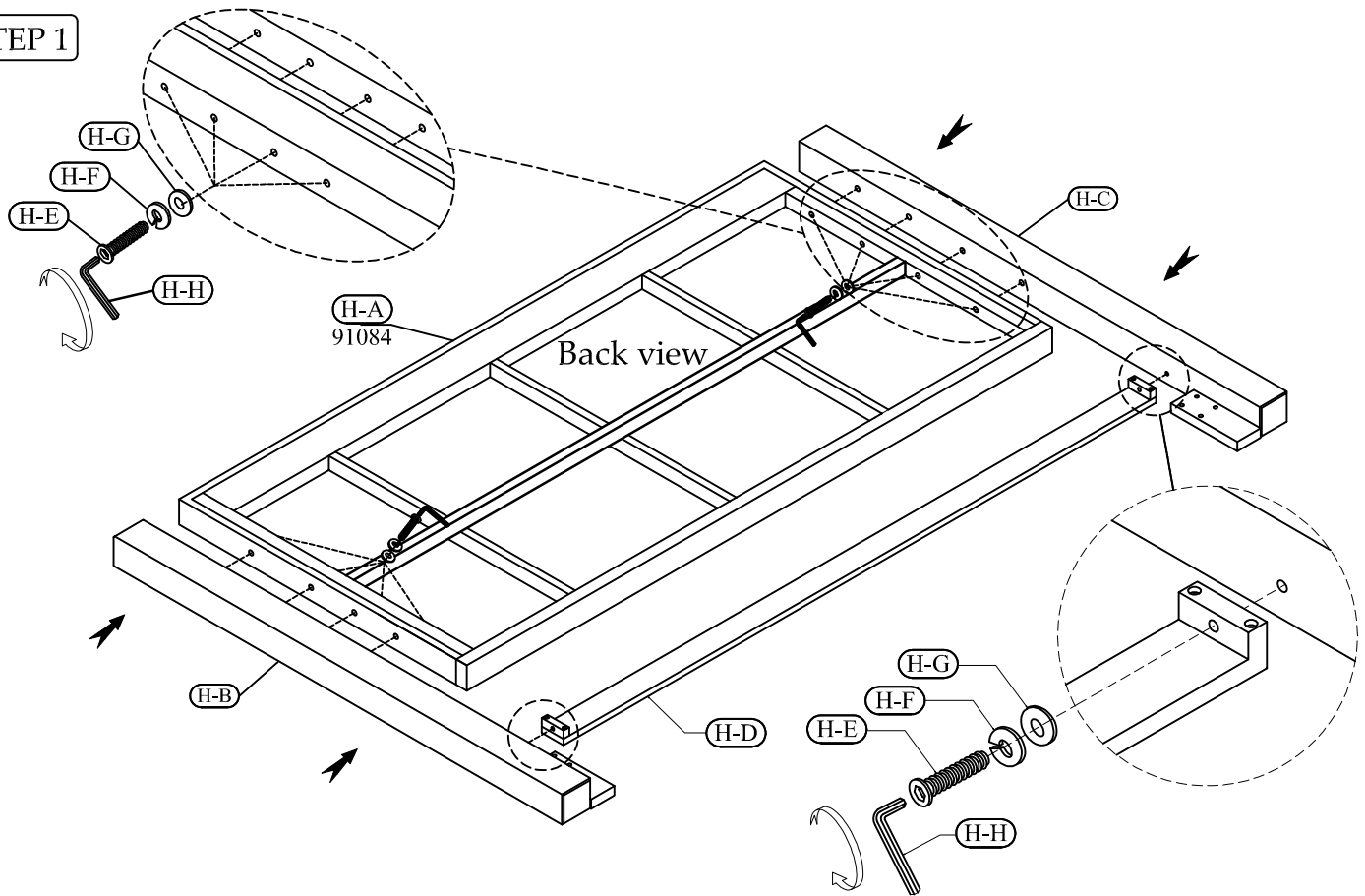
91084 -- 6/0 - 6/6 Panel Headboard

91081 -- 6/6 Panel Footboard

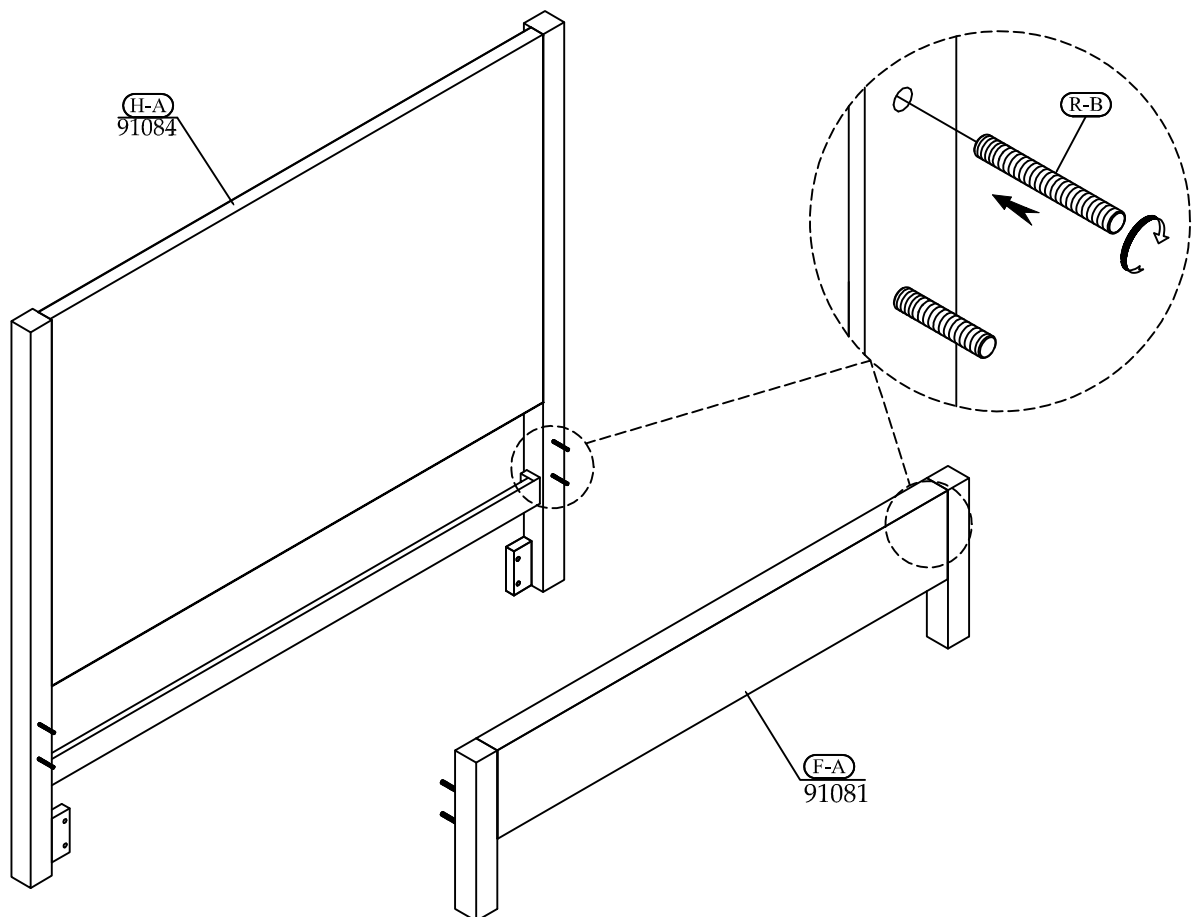
91072 -- 5/0 - 6/6 Siderails



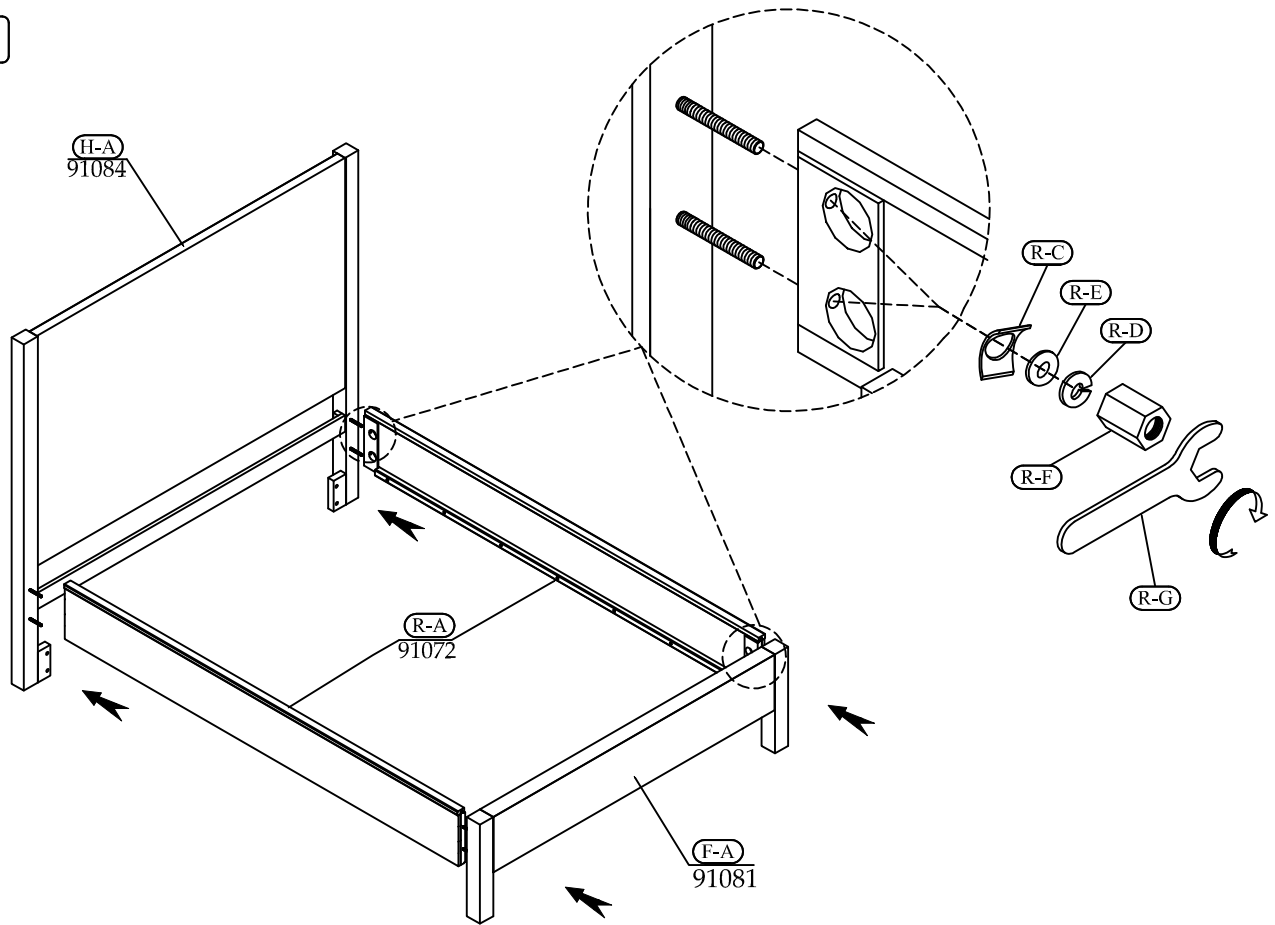
**STEP 1**



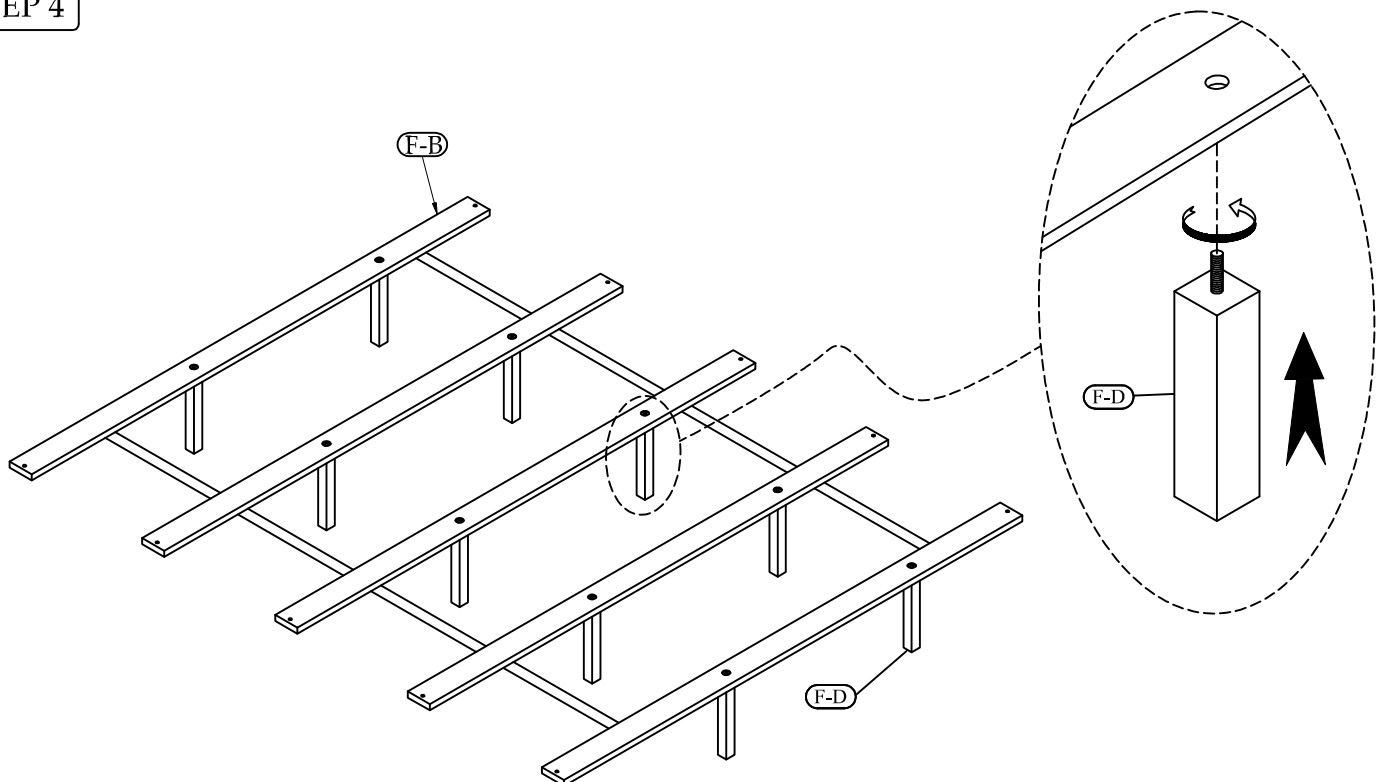
**STEP 2**



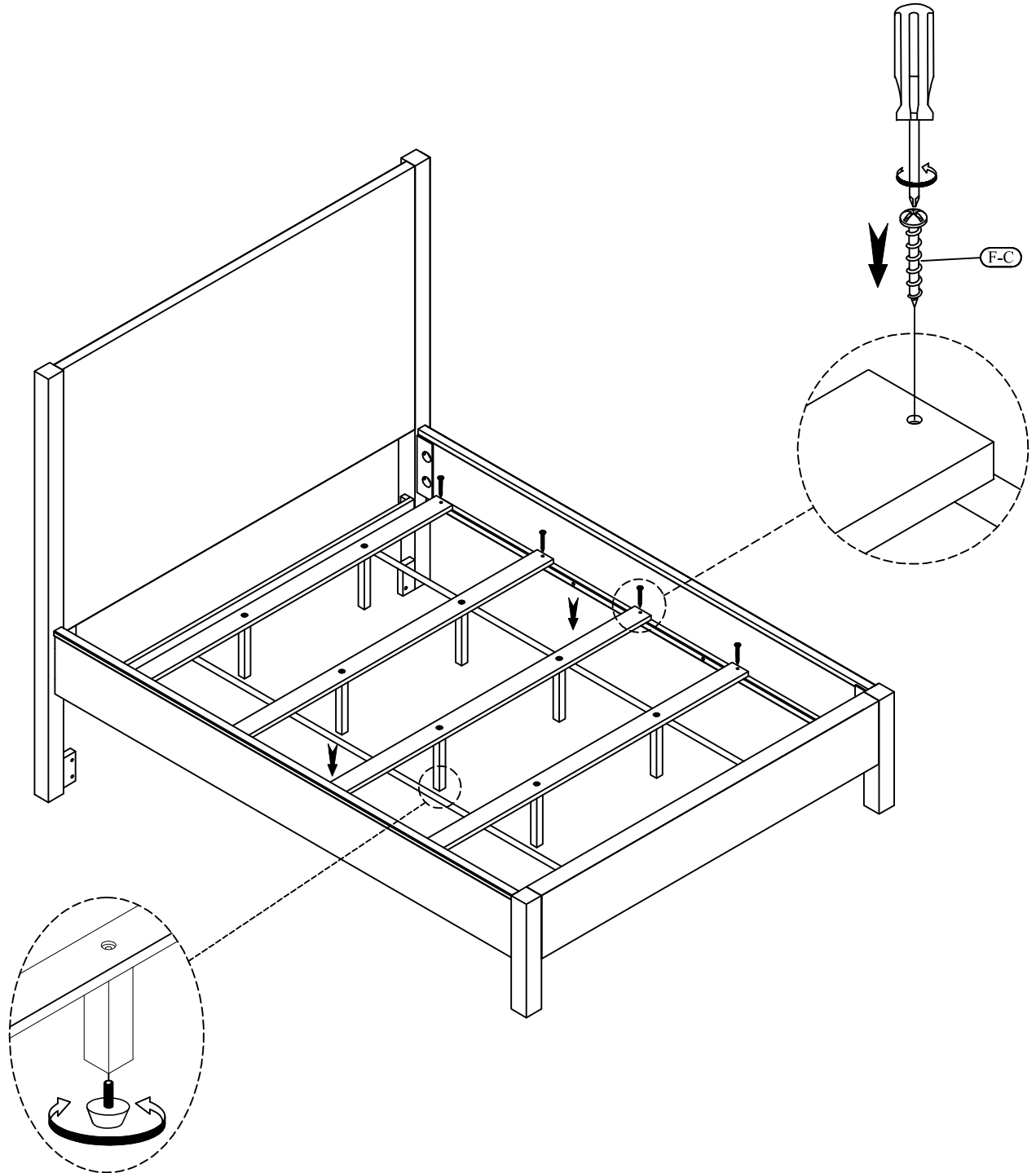
STEP 3



STEP 4



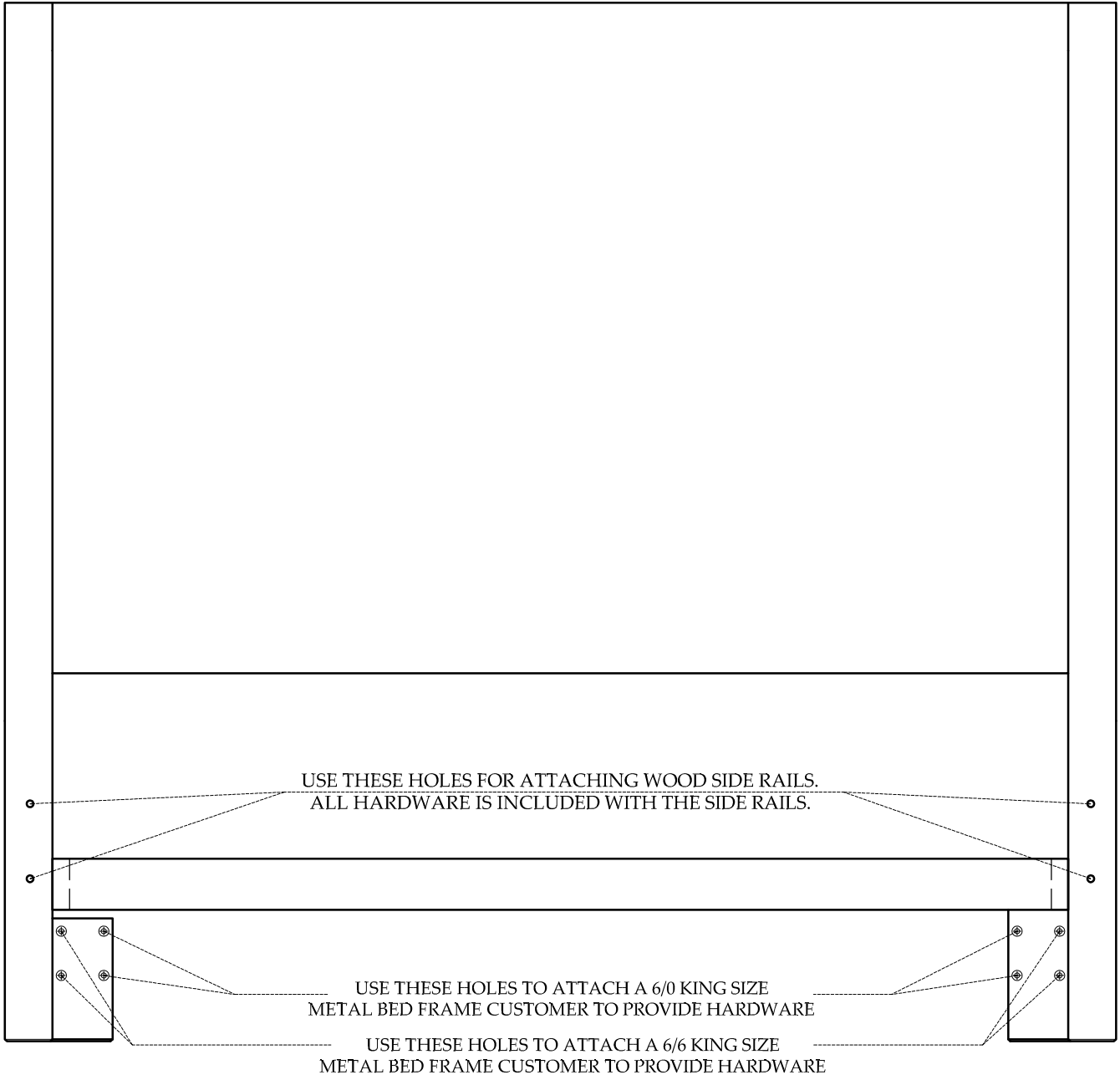
STEP 5



Adjustable leveler.

6/0-6/6 King Bed

91084 - 6/0-6/6 Panel Headboard



The headboard may be used alone with a Eastern King or California King size metal bed frame.